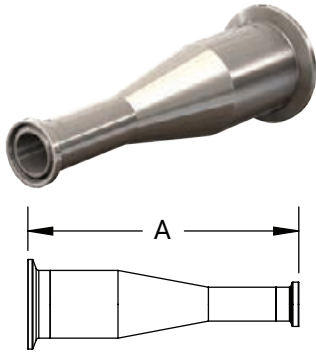




High Purity BioPharm Fittings

Clamp x Clamp Concentric Reducers - T3114MP

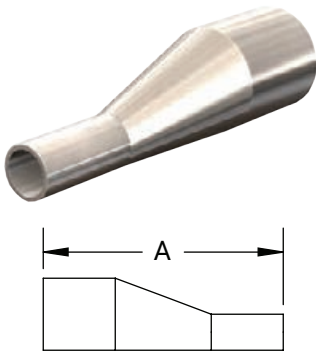


BPE Table DT-4.1.3-3(a)

Tube O.D.	A (in)	PL Finish - SF1	PM Finish - SF4
3/4" x 1/2"	2.00	T3114MP075050PL	T3114MP075050PM
1" x 1/2"	2.50	T3114MP100050PL	T3114MP100050PM
1" x 3/4"	2.00	T3114MP100075PL	T3114MP100075PM
1-1/2" x 1/2"	3.50	T3114MP150050PL	T3114MP150050PM
1-1/2" x 3/4"	3.00	T3114MP150075PL	T3114MP150075PM
1-1/2" x 1"	3.00	T3114MP150100PL	T3114MP150100PM
2" x 1/2"	5.50	T3114MP200050PL	T3114MP200050PM
2" x 3/4"	5.00	T3114MP200075PL	T3114MP200075PM
2" x 1"	5.00	T3114MP200100PL	T3114MP200100PM
2" x 1-1/2"	3.00	T3114MP200150PL	T3114MP200150PM
2-1/2" x 1/2"	7.50	T3114MP250050PL	T3114MP250050PM
2-1/2" x 3/4"	7.00	T3114MP250075PL	T3114MP250075PM
2-1/2" x 1"	7.00	T3114MP250100PL	T3114MP250100PM
2-1/2" x 1-1/2"	5.00	T3114MP250150PL	T3114MP250150PM
2-1/2" x 2"	3.00	T3114MP250200PL	T3114MP250200PM
3" x 1"	9.00	T3114MP300100PL	T3114MP300100PM
3" x 1-1/2"	7.00	T3114MP300150PL	T3114MP300150PM
3" x 2"	5.00	T3114MP300200PL	T3114MP300200PM
3" x 2-1/2"	3.00	T3114MP300250PL	T3114MP300250PM
4" x 1"	13.13	T3114MP400100PL	T3114MP400100PM
4" x 1-1/2"	11.13	T3114MP400150PL	T3114MP400150PM
4" x 2"	9.13	T3114MP400200PL	T3114MP400200PM
4" x 2-1/2"	7.13	T3114MP400250PL	T3114MP400250PM
4" x 3"	5.13	T3114MP400300PL	T3114MP400300PM
6" x 3"	7.50	T3114MP600300PL	T3114MP600300PM
6" x 4"	7.63	T3114MP600400PL	T3114MP600400PM



Weld x Weld Eccentric Reducers - T32W



BPE Table DT-4.1.3-1(a)

Tube O.D.	A (in)	PL Finish - SF1	PM Finish - SF4
3/4" x 1/2"	4.00	T32W-075050PL	T32W-075050PM
1" x 1/2"	4.50	T32W-100050PL	T32W-100050PM
1" x 3/4"	4.00	T32W-100075PL	T32W-100075PM
1-1/2" x 1/2"	5.50	T32W-150050PL	T32W-150050PM
1-1/2" x 3/4"	5.00	T32W-150075PL	T32W-150075PM
1-1/2" x 1"	5.00	T32W-150100PL	T32W-150100PM
2" x 1/2"	7.75	T32W-200050PL	T32W-200050PM
2" x 3/4"	7.25	T32W-200075PL	T32W-200075PM
2" x 1"	7.25	T32W-200100PL	T32W-200100PM
2" x 1-1/2"	5.25	T32W-200150PL	T32W-200150PM
2-1/2" x 1/2"	9.75	T32W-250050PL	T32W-250050PM
2-1/2" x 3/4"	9.25	T32W-250075PL	T32W-250075PM
2-1/2" x 1"	9.25	T32W-250100PL	T32W-250100PM
2-1/2" x 1-1/2"	7.25	T32W-250150PL	T32W-250150PM
2-1/2" x 2"	5.50	T32W-250200PL	T32W-250200PM
3" x 1"	11.25	T32W-300100PL	T32W-300100PM
3" x 1-1/2"	9.25	T32W-300150PL	T32W-300150PM
3" x 2"	7.50	T32W-300200PL	T32W-300200PM
3" x 2-1/2"	5.50	T32W-300250PL	T32W-300250PM
4" x 1"	15.50	T32W-400100PL	T32W-400100PM
4" x 1-1/2"	13.50	T32W-400150PL	T32W-400150PM
4" x 2"	11.75	T32W-400200PL	T32W-400200PM
4" x 2-1/2"	9.75	T32W-400250PL	T32W-400250PM
4" x 3"	7.75	T32W-400300PL	T32W-400300PM
6" x 3"	9.75	T32W-600300PL	T32W-600300PM
6" x 4"	10.00	T32W-600400PL	T32W-600400PM

NOTE: BPE 2016 Specifications

PL Finish – SF1

O.D. = 32Ra Mechanically Polished

I.D. = 20Ra Mechanically Polished

PM Finish – SF4

O.D. = 32Ra Mechanically Polished

I.D. = 15Ra Mechanically Polished and Electropolished